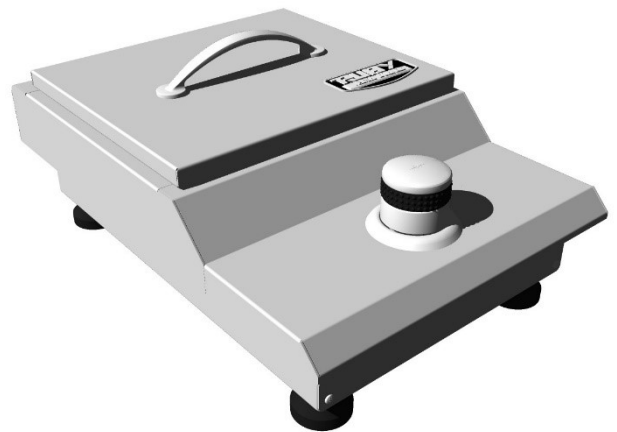


SUNSTONE®

VERSA SIDE BURNERS

USE & CARE GUIDE



Conforms to
ANSI STD Z21.58-2018
Certified to CSA STD 1.6-2018
Outdoor Cooking Gas Appliance



Intertek

3174816

Read all instructions before you operate your Side Burner, Save these instructions!



ATTENTION: THE SIDE BURNER MUST BE INSTALLED ACCORDING TO THE INSTALLATION GUIDE. IF YOUR SIDE BURNER INSTALLATION DOES NOT MEET THE BASIC SETUP INSTRUCTIONS ALL WARRANTIES MAY BE VOID. SEE WARRANTY ON LAST PAGE.

Welcome & Congratulations

Congratulations on your purchase of a new Sunstone Side Burner! We are very proud of our product and we are completely committed to providing you with the best service possible. Your satisfaction is our #1 priority. Please read this manual carefully to understand all the instructions about how to install, operate and maintain for optimum performance and longevity. We know you'll enjoy your new burner and thank you for choosing our product. We hope you consider us for future purchases.

How to Obtain Service

Before you call

Is there Gas supplied to the Side Burner?

Have you recently refilled the LP Tank?

Please make sure you have the following information:

MODEL NUMBER | DATE OF PURCHASE| INVOICE NUMBER.

KEEP A COPY OF THE PRODUCTS ITEMIZED INVOICE FOR YOUR RECORDS

For warranty service, contact SUNSTONE Customer Service Department at (888)-934-9449 or email service@sunstonemetalproducts.com.

SUNSTONE METAL PRODUCTS LLC.
16004 Central Commerce Dr, Pflugerville Texas 78660.

Business Hours.
Mon. to Thur. 9:00AM to 4:30PM
Closed Fri/Sat/Sun

Tel: 512-487-5116
Toll Free: 888-934-9449 (Technical Support Line)
Fax: 512-487-7016

Must keep copy of your sales slip for proof of purchase.

NAME _____ DATE OF PURCHASE _____

ADDRESS _____

MODEL NO _____ INVOICE NO _____

COMPANY THAT YOU PURCHASED FROM _____

To installer or person assembling burner: Leave this manual with burner for future reference.

To consumer: Keep this manual for future reference.

www.sunstonemetalproducts.com

SPECIFICATIONS

SUN13VSB Specifications-----1

SUN13VDB Specifications-----2

LOCATING THE BURNER

SUN13VSB Installation-----3

SUN13VDB Installation-----4

Installation Requirements-----5

Installing Under Structure-----6

SUN13VDB LED Light-----7

GAS INSTALLATION

Propane Tank Connections-----8-9

Natural Gas Installation-----10

Leak Test-----11-12

BURNER STARTUP

Burner Safety-----13-14


Care & Maintenance-----15


Lighting the Burner-----16


WARRANTY


Side Burner Warranty-----17





 **ATTENTION:** Indicates a potentially hazardous situation which, if not avoided, may result in minor or moderate personal injury, or property damage.


 **WARNING:** Indicates an imminently hazardous situation which, if not avoided, will result in death or serious injury.

 **VOLTAGE:** Indicates a potentially hazardous situation which, if not avoided, may result in minor or moderate electrical shock.

 **EXPLOSION:** Indicates an imminently hazardous situation which, if not avoided, will result in possible explosion and cause death or serious injury.

 **BODILY INJURY:** Indicates a potentially hazardous situation which, if not avoided, may result in minor or moderate personal injury, or property damage.

 **HOT SURFACE:** Indicates an imminently hazardous hot surface which, if not avoided, will result in serious burn or injury.

 **LIVE CIRCUIT:** Indicates a potentially hazard from Live electrical current that if extreme caution is not used, may result in minor or moderate personal injury, or property damage.

START-UP

CHECKLIST

Caution: Never operate the burner unattended.

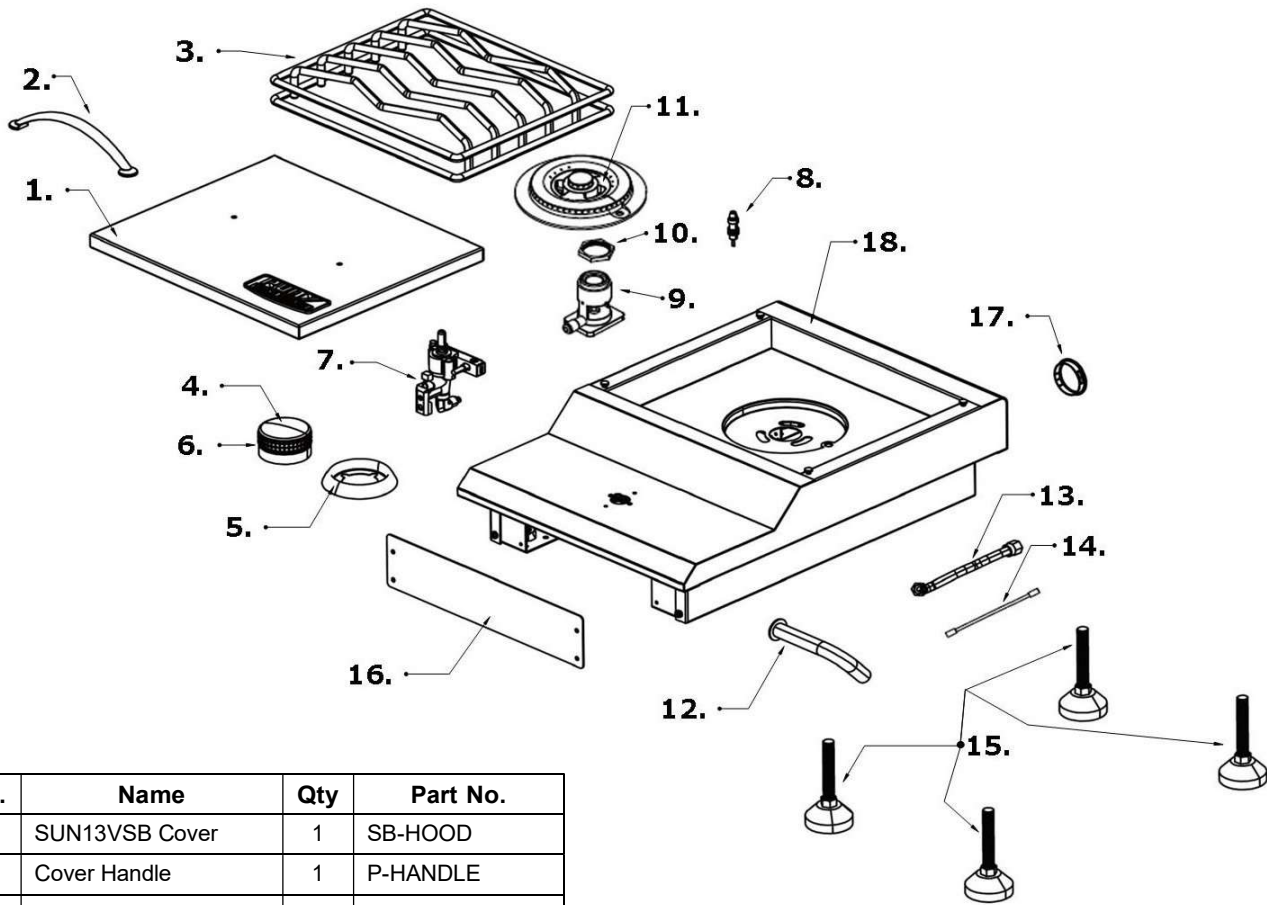
FIRST TIME STARTUP CHECKLIST

- ☑ The burner is free of any debris or obstruction.
- ☑ Installation of the proper gas type and regulator settings.
- ☑ The proper gas connection is complete.
- ☑ Minimum clearances are maintained.
- ☑ All packaging has been removed.
- ☑ All parts and components are properly installed.
- ☑ An installer-supplied manual gas shut-off valve is fully accessible.
- ☑ LP/NG hose is clean and inspected for cuts, wear, abrasions, or leaks. Replace if necessary, with a suitable UL, ETL or CSA Listed part with internally threaded connector.



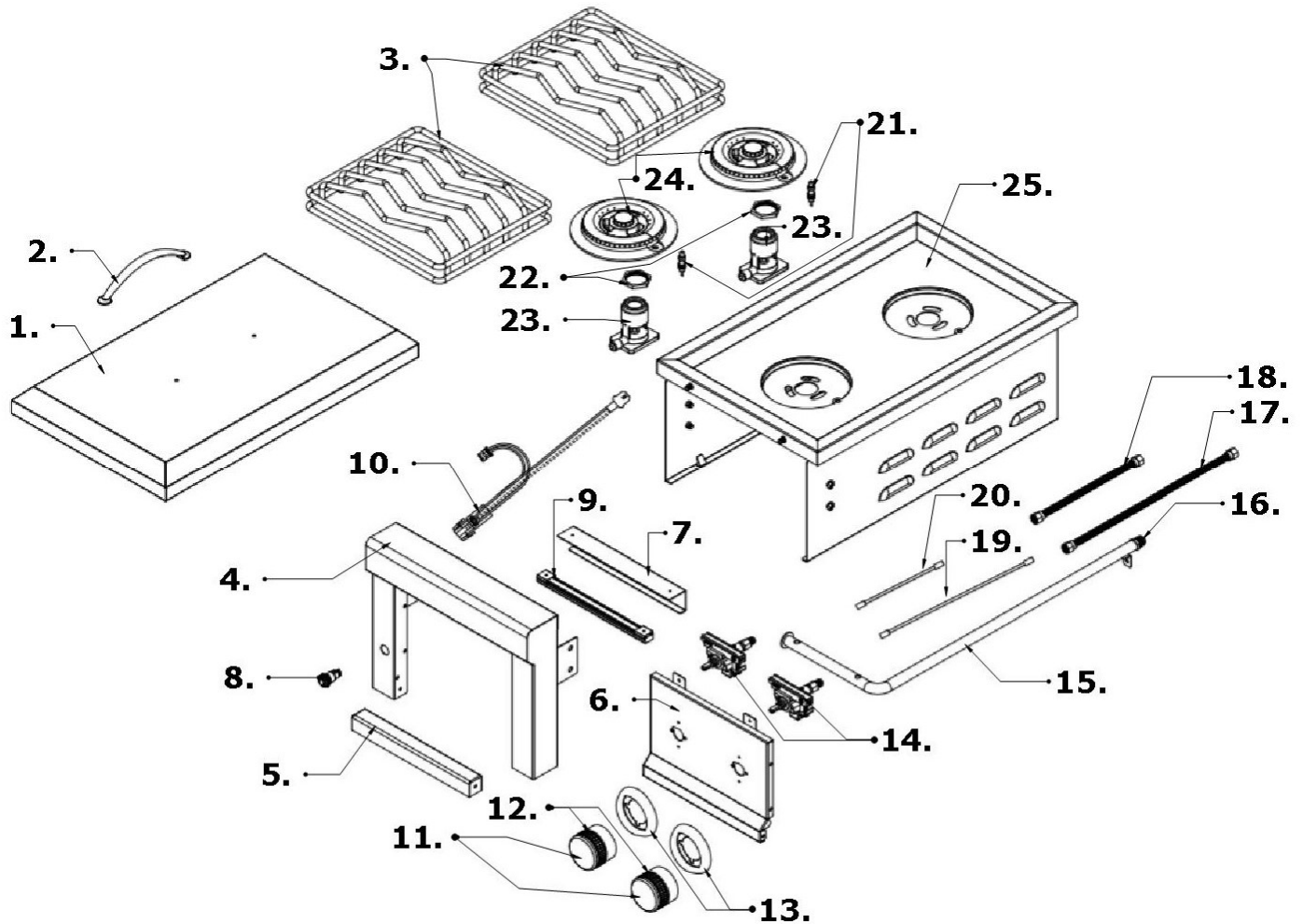
WARNING: If you have a Side Yard Propane Tank, you MUST have additional Medium Pressure Regulator located at the Burner. If you do not serious bodily harm may result or damage to the burner and island structure from HIGH Heat extremes.

SPECIFICATIONS – Diagram SUN13VSB



No.	Name	Qty	Part No.
1	SUN13VSB Cover	1	SB-HOOD
2	Cover Handle	1	P-HANDLE
3	Grate Grids	1	BURNER-GRAT
4	Large Knob	1	P-KNOB-L
5	Knob Ring	1	KNOB-RING
6	Knob Band	1	KNOB-L-BAND
7	SUN13VSB Valve	1	SB-VALVE LP/NG
8	Impulse Igniter Prong	1	IMP-IGNITER
9	Gas Chamber Base	1	BURNER-GC
10	Brass-O-Ring	1	GC-RING
11	Brass-Burner Assembly	1	BURNER-RING
12	Gas Manifold Pipe	1	SB-MANIFOLD
13	Gas Flex-Hose (Short)	1	G-HOSE-SHORT
14	Igniter Wire (Short)	1	P-IGNITERW-S
15	Adjustable Peg-Legs	4	D-PEG-LEGS
16	Access Panel	1	13VSB-PANEL
17	Plastic O-Ring	1	G-RING
18	SUN13VSB Base	1	13VSB-BASE

SPECIFICATIONS – Diagram SUN13VDB



No.	Name	Qty	Part No.
1	SUN13VDB Hood	1	DB-HOOD
2	Hood Handle	1	P-HANDLE
3	Grate Grids	2	BURNER-GRAT
4	Control Panel Frame	1	DB-CT-FRAME
5	Control Frame Bevel	1	DB-CT-BEV
6	Control Panel	1	DB-CT-PANEL
7	LED Light Frame	1	DB-LED-FRAME
8	LED Light Button	1	R-LIGHT-BUT
9	LED Light Strip	1	DB-LED
10	LED Light Wire Plug	1	DB-LED-PLUG
11	Large Knobs	2	P-KNOB-L
12	Large Knob Bands	2	KNOB-BAND-L
13	Knob Rings	2	KNOB-RING
14	2VDB Valves LP/NG	1	DB-VALVE-LP/NG
15	2VDB Gas Manifold	1	DB-MANIFOLD
16	LP/NG Flare Adapter	1	DB-FLARE-LP/NG

No.	Name	Qty	Part No.
17	Gas Flex Hose (Long)	1	G-HOSE-LONG
18	Gas Flex Hose (Short)	1	G-HOSE-SHORT
19	Igniter Wire (Long)	1	P-IGNITERW-L
20	Igniter Wire (Short)	1	P-IGNITERW-S
21	Impulse Igniter Prong	2	IMP-IGNITER
22	Brass-O-Ring	2	GC-RING
23	Gas Chamber Base	2	BURNER-GC
24	Brass-Burner Assembly	2	BURNER-RING
25	SUN13VDB Base	1	13VDB-BASE

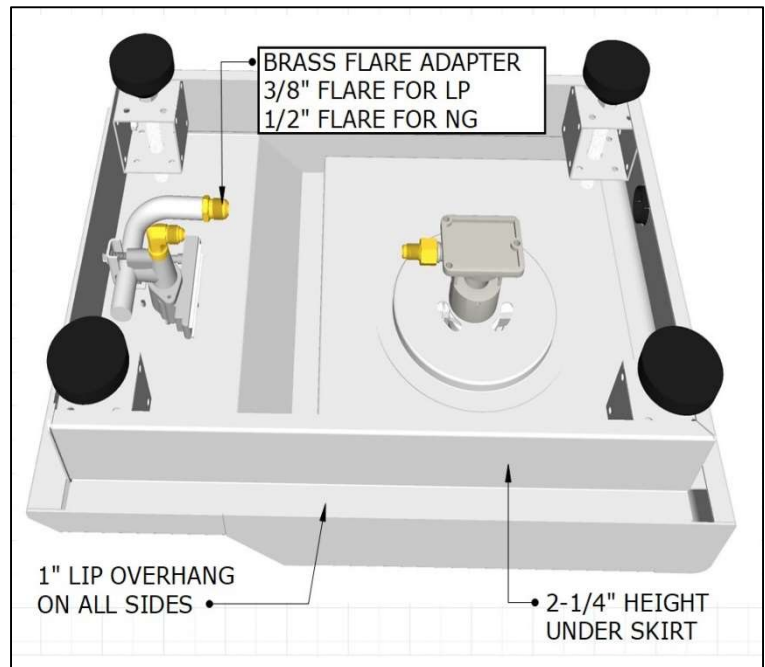
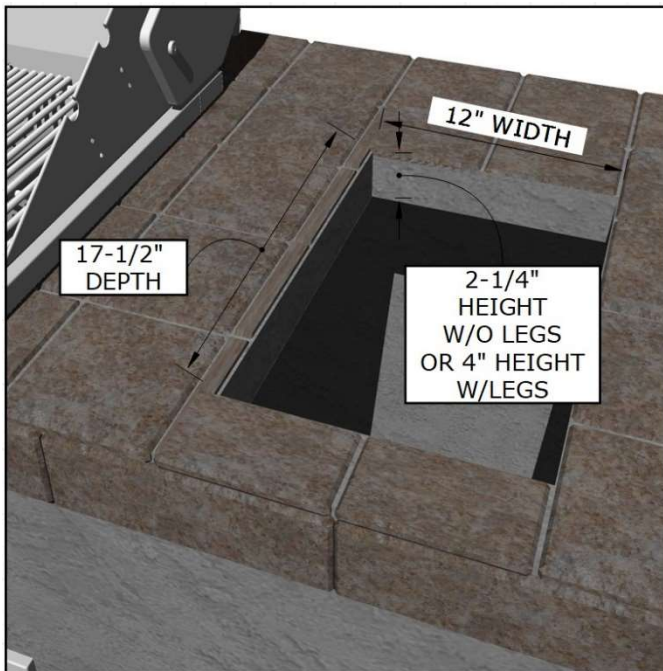
LOCATING BURNER – SUN13VSB Installation

Single Side Burner Cut-Out

The Versa Single Side Burner is SELF-RIMMING, meaning the lip of burner rests on top of the counter edge around the cut-out and is Free Hanging from counter top. The Burner will rest into the Cut-Out only 2-1/4" Height which allows you to installed with large drawer unit below. The Port-Hole in back of Burner is used when Burner is placed on Counter with flexible gas hose to be fed through to gas connection within. Be sure to make all Gas Connections to back of Burner before placed into position. See pages 8 thru 10.

Side Burner installed as Free-Hanging from Counter-Top, Do Not Build any Shelf or Enclosure below the burner, Island interior should be open.

- Product Size ----- 13" Width x 8-1/2" Height w/LEG x 19" Depth
- Cut-Out Size ----- 12" Width x 17-1/2" Depth x 2-1/4" Height
- NG Flare Adapter ----- -1/2" Flare
- LP Flare Adapter-----3/8" Flare
- Burner BTU Rating ----- Up To 15,000 BTU's
- Water Column Size----- 4 Inches



WARNING: Never build shelf or enclose interior space under the Burner Cut-Out. The Side Burner is Self-Rimming and is supported by the top counter. The bottom of Burner needs to be open to allow for proper ventilation. ALLOW 6 INCH MINIMUM CLEARANCE FROM UNDERSIDE OF COUNTER BURNER BACK TO INTERIOR ISLAND WALL – MUST ALLOW AIR FLOW AROUND BACK OF BURNER.

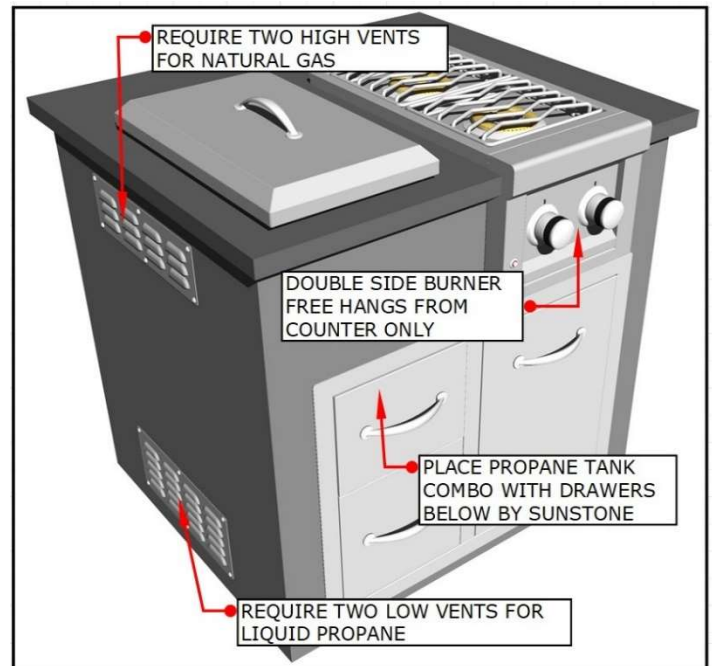
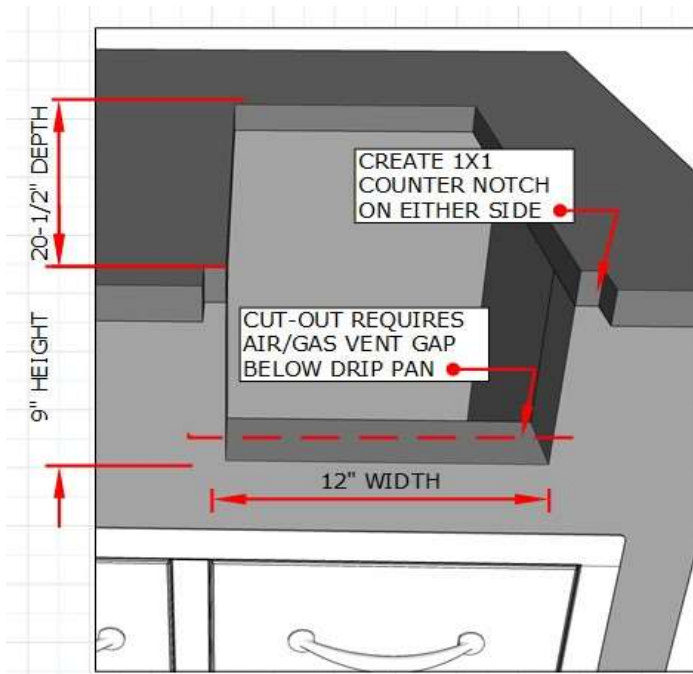
LOCATING BURNER – SUN13DSB Installation

Double Side Burner Cut-Out

The Versa Double Side Burner is SELF-RIMMING, meaning the lip of burner rests on top of the counter edge around the cut-out and is Free Hanging from counter top. Make Cut-Out according to details below, remember if counter overhangs make 1x1 notch Cut on Left & Right sides to allow Burner to rest flush against island wall. Be sure to make all Electrical & Gas Connections to back of Burner before sliding into position. See pages 7 thru 10.

Side Burner installed as Free-Hanging from Counter-Top, Do Not Build any Shelf or Enclosure below the burner, Island interior should be open.

- Product Size ----- 13" Width x 23-1/2" Depth x 12-1/2" Height
- Cut-Out Size ----- 12" Width x 20-1/4" Depth x 9" Height
- NG Flare Adapter ----- -1/2" Flare
- LP Flare Adapter-----3/8" Flare
- Burner BTU Rating -----Up To 30,000 BTU's
- Water Column Size----- 4 Inches



WARNING: Never build shelf or enclose interior space under the Burner Cut-Out. The Side Burner is Self-Rimming and is supported by the top counter. The bottom of Burner needs to be open to allow for proper ventilation. ALLOW 6 INCH MINIMUM CLEARANCE FROM UNDERSIDE OF COUNTER BURNER BACK TO INTERIOR ISLAND WALL – MUST ALLOW AIR FLOW AROUND BACK OF BURNER.

LOCATING BURNER – Installation Requirements

Installation Requirements

**** DEFINITION OF COMBUSTIBLE MATERIAL** - Any materials of a building structure or decorative structure made of wood, compressed paper, plant fibers, vinyl/plastic or other materials that are capable of transferring heat or being ignited and burned. Such material shall be considered combustible even though flame-proofed, fire-retardant treated, surface-painted, or plastered.

1. **COMBUSTABLE MATERIALS:** For Wood Framed Island Construction it is Extremely important Not to use any wood within 24" of the side Burner. Wood frame is fine for Bar/Sink areas and or Storage compartments. If your island is mostly wood, just substitute for Metal Studs while within the minimum distance. If the island structure is against any Combustible Materials - be sure to provide protection and keep a minimum distance.
2. **ISLAND VENTILATION:** For every Gas-Related appliance Grill or Side Burner you are required to have at least Two Air-Vents in the Island, within 24" of Appliance. Place Two Vents in Low position within 6" from base on exterior wall when using Liquid Propane and place Two Vents in High position within 6" below the counter bottom edge for Natural Gas. Do not Build Enclosure under Side Burners, Side burners are meant to Free-Hang from countertop surface.
3. **GAS SAFETY & ACCESS:** For either Natural Gas or Liquid Propane type, it is required you have clear access to all interior island Gas-Plumbing allow minimum 6 Inch clearance around underside back of Burner, we recommend placing one of Sunstone's Single Access Vented Doors. Also have at least One Safety-Shut Off Valve Present and within easy access, if this appliance is being installed in a High-Traffic location like for Residential Community, it is important to have installed a Shut-Off Timer set for Auto-Shut off in 20 Minutes.



ATTENTION: All Gas Burner Installations MUST HAVE MINIMUM TWO AIR-FLOW VENTS, either in ELEVATED POSITION for Natural Gas or LOWERED POSITION for Liquid Propane. Your Warranty may be VOID if island does not meet basic setup requirements.



BODILY INJURY: Failure to maintain required clearances creates a fire hazard that may result in property damage or serious personal injury.

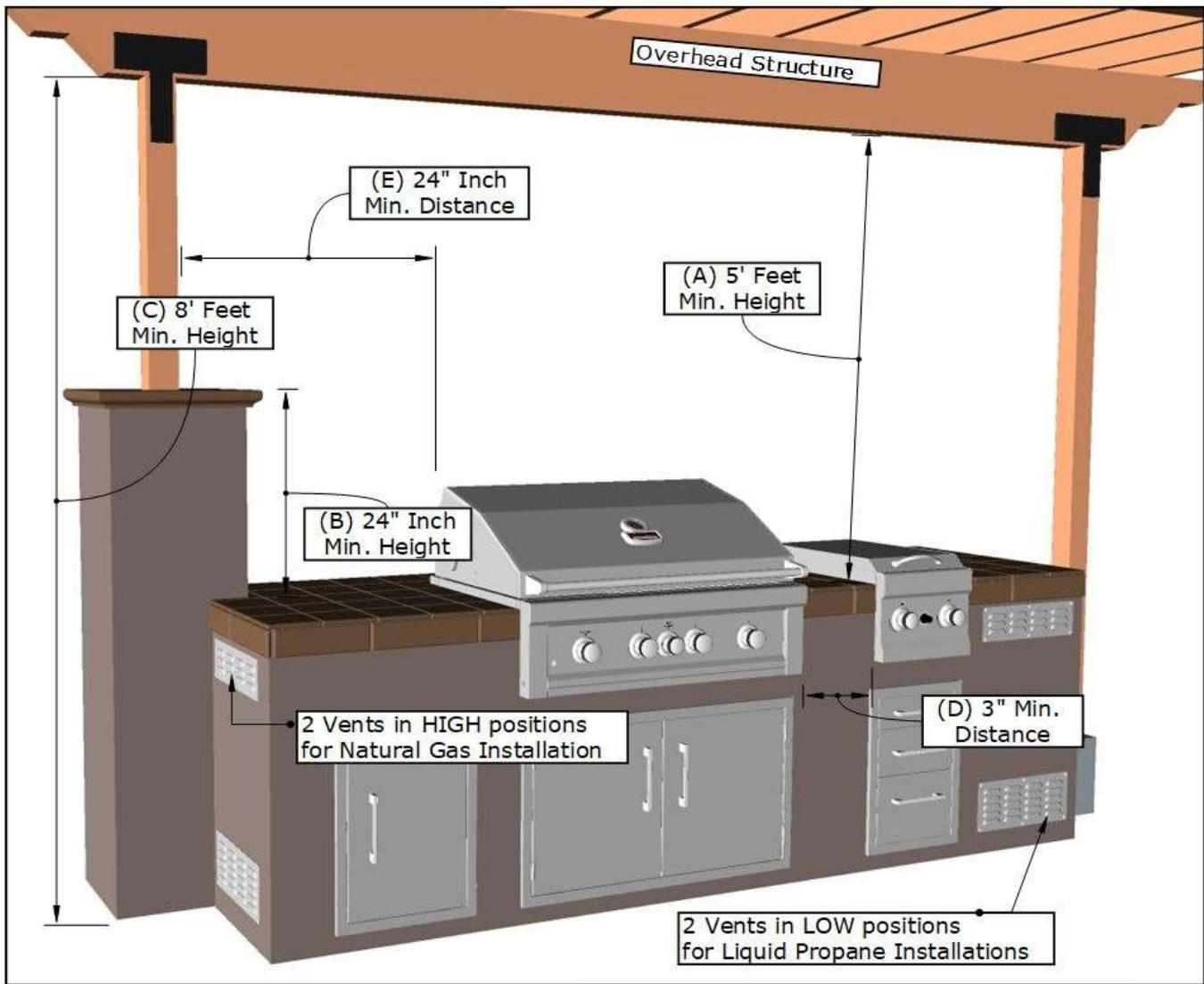


WARNING: NEVER BUILD YOUR OUTDOOR KITCHEN ISLAND USING COMBUSTIBLE MATERIALS, MAINTAIN 24" DISTANCES FROM BURNER. USING A BURNER JACKET IS NOT A SURE BET TO PROTECT COMBUSTIBLE MATERIALS. THE USE HARDY-BOARD AS AN INSULATOR IS NOT SUFFECIANT, A SUSTAINED FIRE WILL BURN THROUGH HARDY-BOARD WITHIN 15 MINUTES.

LOCATING BURNER – Installing Under Structure

Overhead Structure Definition:

Structure built above Appliance that is sometimes attached to the home's exterior outside wall or roof and there is a Minimum of "Two" adjacent sides which are open with outside exposure.



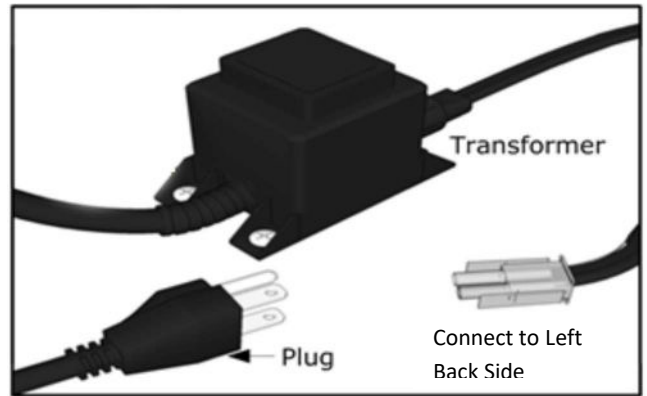
Minimum Distances to Combustible Materials or another Appliance ONLY, Maintain Minimum Six-Inch Clearance to Structure around interior of Appliance!

- A. From Counter to Overhead Structure ----- 5 Feet Min. Clearance
- B. From Counter to Combustible Material "if" within 24" distance ----- 24 Inch Min. Clearance
- C. From Floor to Underside of Overhead Structure ----- 8 Feet Min. Clearance
- D. From Appliance to Appliance ----- 3 Inch Min. Clearance
- E. From Appliance to Combustible Material ----- 24 Inch Min. Clearance

INSTALLING COMPONENTS – SUN13VDB LED LIGHT

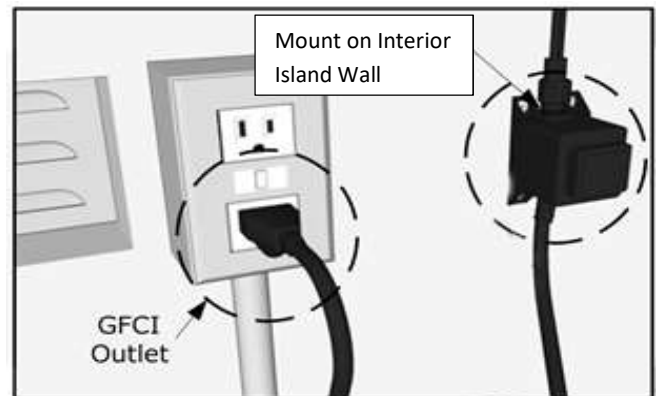
1. Locate the Transformer

Remove the transformer from the plastic bag located in the interior of burner box. Make sure the Transformer is complete, and double check the plug cord is properly secured to transformer, and all wires are firmly fixed into plastic clip plug.



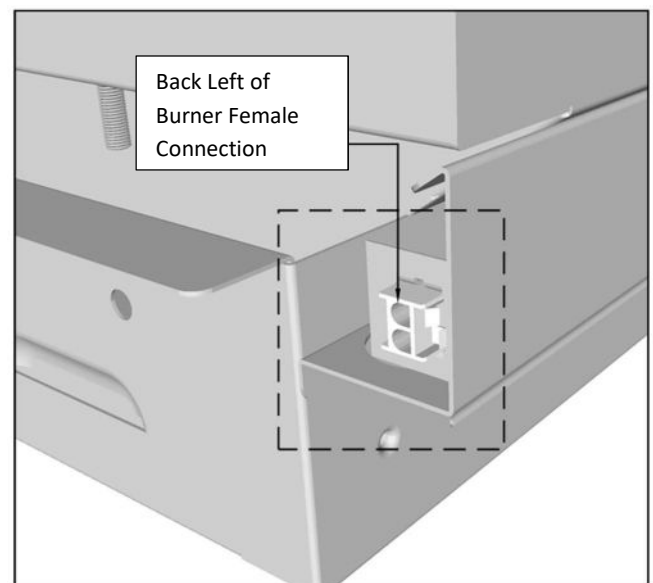
2. Mount Transformer

Using metal screws and attach the transformer to the back inner wall of your island's cabinet wall, somewhere near the already installed GFCI electrical outlet. When you plug the transformer in, double check then GFCI breaker switch, that the outlet has power.



3. Make Connections

Locate the Light Plug on the underside of burner. The connection clips together, to form a secure connection. Double check that all wires are tightly pushed into plug sockets, so all wires make proper connections.



LIVE CIRCUIT: Indicates a potentially hazard from Live electrical current that if extreme caution is not used, may result in minor or moderate personal injury, or property damage.

GAS INSTALLATION – Propane Tank Connections



ATTENTION: Before connecting burner to gas source, make sure BBQ Burner control knobs are in “OFF” position. Verify the type of gas supply to be used, either natural or LP, and make sure the marking on the appliance rating label agrees with that of the supply.

All pipe sealants must be an approved type and resistant to the actions of LP gas. Never use pipe sealant on flare fittings. The installation of this appliance must conform with local codes or, in the absence of local codes, with either National Fuel Gas Code, ANSI Z223.1/ NFPA 54, Natural Gas and Propane Installation Code, CSA B149.1, or Propane Storage and Handling Code, B149.2, or the Standard for Recreational Vehicles, ANSI A 119.2/ NFPA 1192M, and CSA Z240 RV Series, Recreational Vehicle Code, as applicable.

LP Tank Removal, Transport and Storage

- Turn OFF all control knobs and LP tank valve. Turn coupling nut counterclockwise by hand only - do not use tools to disconnect. Lift LP tank wire upward off LP tank collar, then lift LP tank up and off support bracket. Install safety cap onto LP tank valve. Always use cap and strap supplied with valve. Failure to use safety cap as directed may result in serious personal injury and/or property damage.
- A disconnected LP tank that is in storage or being transported must have a safety cap installed. Do not store an LP tank in enclosed spaces such as a carport, garage, porch, covered patio or other building. Never leave an LP tank inside a vehicle which may become overheated by the sun.

The cylinder must be arranged for vapor withdrawal. It must also include a collar to protect the cylinder valve. A safety relief device having direct communication with the vapor space of cylinder must be provided. This will expel high pressure gas if the cylinder is overfilled or overheated which could result in fire or explosion.

- All LP gas cylinders used with this appliance shall be constructed and marked in accordance with the specifications for LP gas cylinders of the U. S. Department of Transportation (DOT) or the National Standard of Canada, CAN/CSA-B339, Cylinders, Spheres and Tubes for Transportation of Dangerous Goods; and Commission, as applicable; and shall be provided with a listed overfilling prevention device.
- Read labels on the LP Gas Supply Cylinder.
- New cylinders are always shipped empty for safety.
- Allow only qualified LP gas dealers to fill or repair your LP gas supply cylinder.
- Inform the gas dealer if it is a new or used cylinder to be filled.
- After filling, have the gas dealer check for leaks and to see that the relief valve remains free to function.



WARNING: If you have a Side Yard Propane Tank, you MUST have additional Medium Pressure Regulator located at the Burner. If you do not serious bodily harm may result or damage to the burner and island structure from HIGH Heat extremes.

GAS INSTALLATION – Propane Tank Connections

Hose and Regulator

The Type 1 connection system has the following features:

- The system will not allow gas to flow until a positive connection has been made.
NOTE: The cylinder control valve must be turned off before any connection is made or removed.
- The system has a thermal element that will shut off the flow of gas in the event of a fire.
- The system has a flow limiting device which, when activated, will limit the flow of gas to 10 cubic feet per hour.
- NEVER use burner without leak testing.

Propane vapors are heavier than air. For this reason, they may accumulate in low-lying areas such as basements, crawl spaces, ditches, or along floors. However, air currents can sometimes carry propane vapors elsewhere within a building.

LP (Propane) Gas Supply Connection & Disconnection

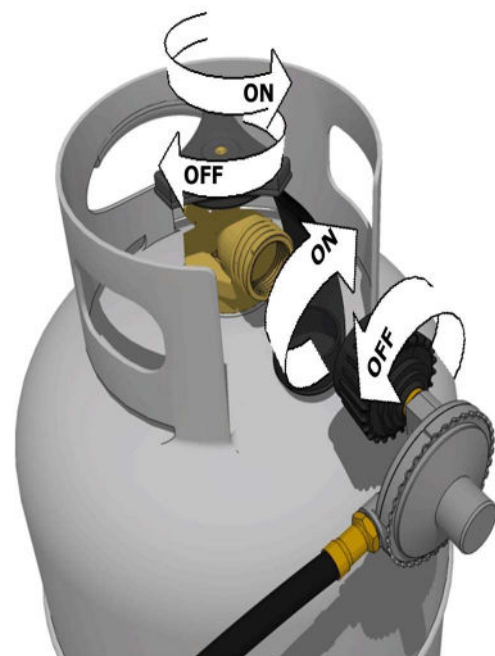
LP Tank Connection

1. The tank valve should be in the “OFF” position. If not, turn the knob clockwise until it stops.
2. Make sure all burner valves are in the “OFF” position.
3. Always connect the gas supply regulator as follows: Insert the regulator inlet into the tank valve and turn the coupling nut clockwise until the coupler tightens up (see picture). Do not over tighten the coupler. Turn the main tank valve on and turn the burner control valves on the unit to the “HIGH” position for about 20 seconds to allow the air in the system to purge before attempting to light the burners.

LP Tank Disconnection

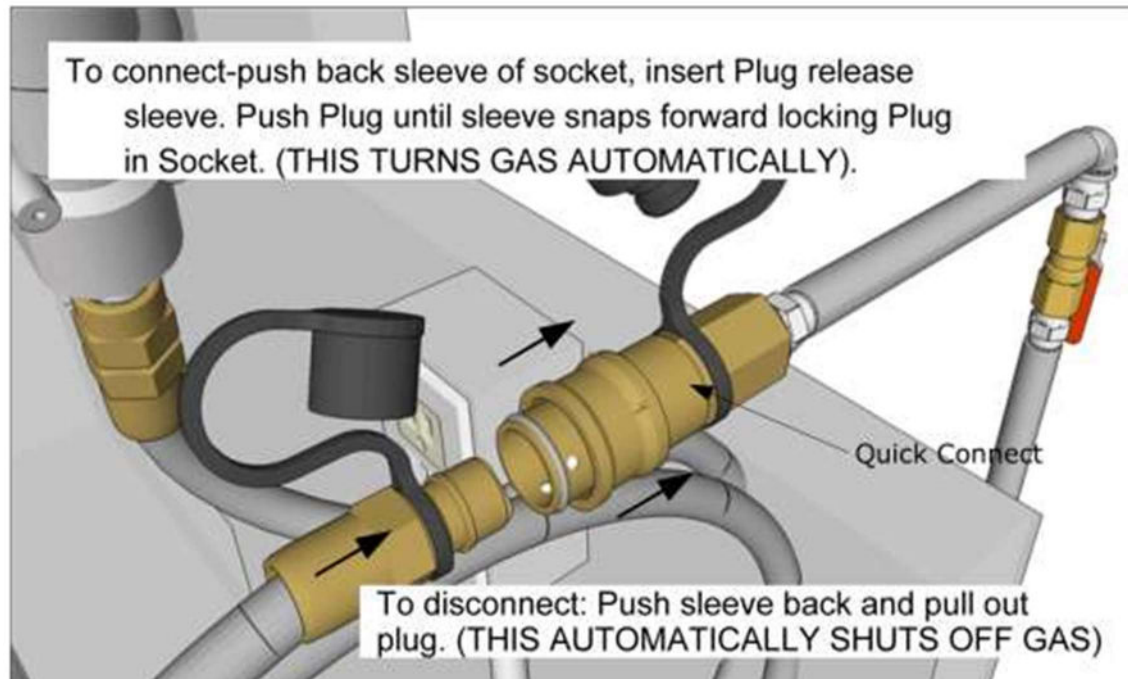
1. Turn the burner valves off.
2. Turn the tank valve off. (Turn clockwise to stop).
3. Detach the regulator assembly from the tank valve by turning them quick coupling nut Counterclockwise.

Liquid Propane Regulator is packed separately inside Burner marked for LP



GAS INSTALLATION – Natural Gas Installation

Natural Gas Burners are designed to operate on Natural Gas ONLY, at a pressure regulated at 4” water column (W.C.) when equipped with the correct natural gas orifices on the valves and a NG regulator on the supply line regulated at the residential meter.



Natural Gas Supply Connection and Disconnection

1. Make sure all burner valves are in the “OFF” position.
2. To connect-push back sleeve of socket, insert Plug release sleeve. Push Plug until sleeve snaps forward locking Plug in Socket. (THIS TURNS GAS AUTOMATICALLY).
3. To disconnect: Push sleeve back and pull out plug. (THIS AUTOMATICALLY SHUTS OFF GAS)
4. Connected hose assembly shall be of adequate length and capacity for intended application. Final assembly must be tested for leaks.

Natural Gas Regulator & 18” Hose is packed separately inside Burner marked for NG



GAS INSTALLATION –Leak Test



WARNING: Always perform a leak test before lighting the burner to prevent a possible fire or explosion. Never store a spare propane cylinder in the vicinity of this Burner, or in the vicinity of any other potential heat source. Never attempt to attach this burner to the self-contained LP gas system. Do not use burner until leak testing.



Before Testing

DO NOT smoke while leak testing. Extinguish all open flames. Never leak test with an open flame or risk of serious harm to self or others.



Mix Solution

Prepare a leak testing solution of soapy water by mixing in a spray bottle one-part liquid soap to one-part water. You can also use mild detergent or liquid soap and water.

Leak Testing Procedure

Perform a leak test at least once a year whether the gas supply cylinder has been disconnected or not. In addition, whenever the gas cylinder is connected to the regulator or whenever any part of the gas system is disconnected or replaced, perform a leak test.

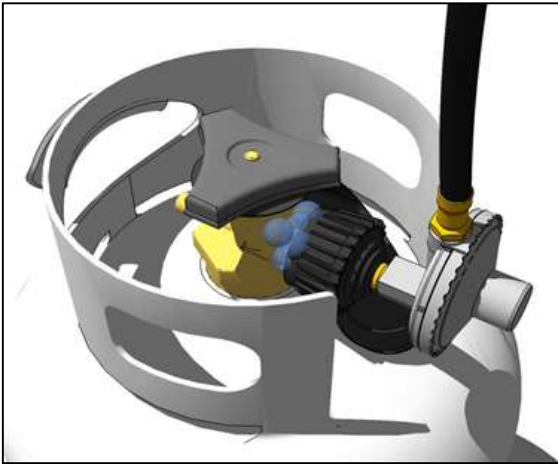
As a safety precaution, remember to always leak test your burner outdoors in a well-ventilated area. Never smoke or permit sources of ignition in the area while doing a leak test. Do not use a flame, such as a lighted match to test for leaks. Use a solution of soapy water.

1. Make sure all of the control knobs are in the OFF position.
2. Turn on the gas.
 - a. On natural gas systems, turn the shut off valve to the burner.
 - b. On LP systems, turn the propane tank valve knob counterclockwise one turn to open.
3. Apply the leak-testing solution by spraying it on joints of the gas delivery system. Blowing bubbles in the soap solution indicates that a leak is present.
4. Stop a leak by tightening the loose joint or by replacing the faulty part with a replacement part recommended by the manufacturer. Do not attempt to repair the cylinder valve if it is damaged. The cylinder must be replaced.

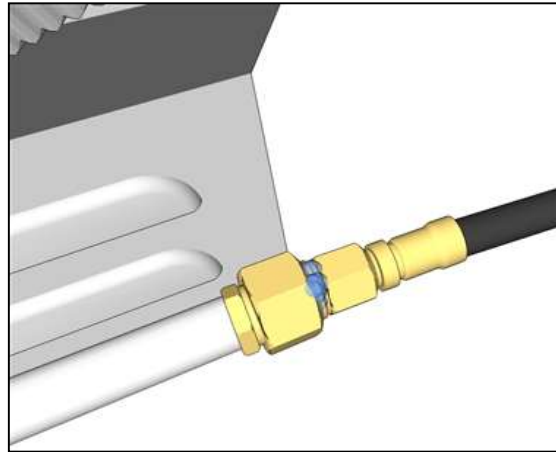
GAS INSTALLATION –Leak Test

Liquid Propane Leak Testing Procedure

Test connection from LP Tank to Regulator

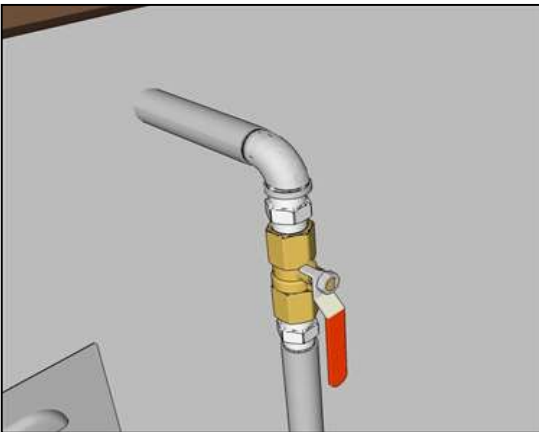


Test connection from burner to LP Hose

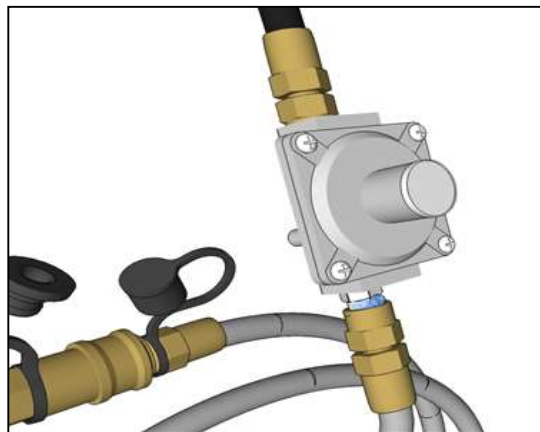


Natural Gas Leak Testing Procedure

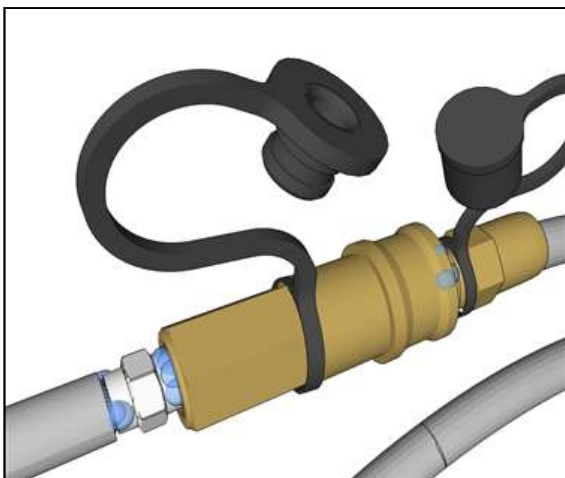
If unable to stop gas leak, turn gas off



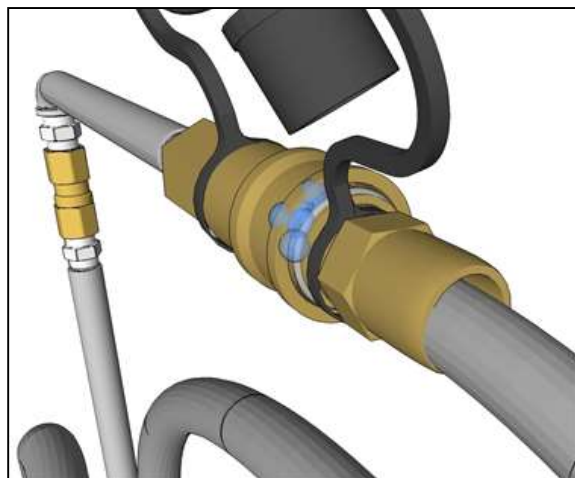
Test connection next to NG regulator



Test connection from gas line to adapter



Test Quick Disconnect



BURNER STARTUP –Burner Safety

For Household Outdoor Use Only – DO NOT use indoors or in any type of enclosed area such as a garage or shed. Keep clear of trees and shrubs. The Side Burners are for Residential Use Only. The area surrounding your new side burner should be kept clean and free from flammable liquids and other combustible materials such as mops, rags or brooms, as well as solvents, cleaning fluids, and gasoline. To reduce the risk of serious or fatal injury from breathing toxic fumes and from explosion and fire as a result of leaking gas, use only outdoors in an open area with good ventilation.



WARNING:

1. DO NOT Store or use gasoline or other flammable liquids or vapors in the vicinity of this or any other appliance.
2. An LP cylinder not connected for use shall not be stored in the vicinity of this or any other appliance.

Do not obstruct the flow of combustion and ventilation air. Never use the side burner in windy conditions. If located in a consistently windy area (oceanfront, mountaintop, etc.) a wind break will be required. Always adhere to the specified clearances listed.

- Do not leave the side burner unattended while cooking.
- Do not use natural gas in a unit designed for liquid propane gas or vice versa. Do not use fuel such as charcoal briquettes on the side burner.
- Keep children and pets away from hot burner.
- DO NOT allow children to use or play near the side burner.
- Never attempt to repair or replace any part of the side burner yourself unless specifically recommended in this manual.
- All other services should be performed by a qualified service technician.



ATTENTION: Inspect the hose before using the burner. If there is excessive abrasion or wear, or if the hose is cut, it must be replaced prior to the outdoor cooking gas appliance being put into operation. The replacement hose assembly shall be that specified by the manufacturer. Ensure the area around the barbecue is clear of flammable substances such as gasoline, yard debris, wood, etc. Ensure there is no blockage of the airflow through the vent space located below the face of the unit.



WARNING: OUTDOOR USE ONLY: NEVER operate burner in enclosed areas, as this could lead to gas accumulating from a leak, causing an explosion or a carbon monoxide buildup which could result in injury or death. NOT FOR USE BY CHILDREN. If these instructions are ignored, a hazardous fire or explosion could result in physical injury, death or property damage!

BURNER STARTUP - Burner Safety

- Never lean over the burner when flame is ON.
- Do not place clothing or other flammable material on or near the burner.
- Do not wear loose-fitting clothes or long sleeves while using the side burner as some fabrics can be highly flammable.
- Have an ABC fire extinguisher accessible.
- Never attempt to extinguish a grease fire with water or other liquids.
- Never use aluminum foil on the burner grids, this can alter airflow for proper combustion and also build up heat in the control area causing the knobs and igniter to melt.
- When using the side burner, do not touch the burner grid or immediate surroundings as these areas become extremely hot and can cause burns.
- Turn off Burner if excessively Hot for any reason. After the Burner has cooled, determine the cause and correct it.
- After cleaning the valve, hose and regulator, perform a leak test before continuing use.
- Do not heat any unopened glass or metal container of food on the side burner, pressure may build up and cause the container to burst, possibly resulting in serious personal injury or damage to the side burner.



WARNING: Keep any electrical supply cords away from water or heated surfaces. Electrical cords should be placed away from walkways to avoid tripping hazard.

Keep gas supply lines as short as possible. Never move the side burner when hot. DO NOT use while under the influence of drugs or alcohol. DO NOT store a spare gas cylinder under or near your side burner. In the event that a burner goes out, turn burner knobs to the full OFF position. Do not attempt to use the side burner until the gas has had time to dissipate. Do not use side burner until leak check has been made. Turn off the cylinder valve when your side burner is not in use. Ensure the control knobs are in the “OFF” position when not in use.

CALIFORNIA PROPOSITION 65 - WARNING: The burning of gas cooking fuels generates some byproducts which are on the list of substances which are known by the State of California to cause cancer or reproductive harm. California law requires businesses to warn customers of potential exposure to such substances. To minimize exposure to these substances, always operate this unit according to the Use and Care Manual, ensuring you provide good ventilation when cooking with gas.

BURNER STARTUP - Care & Maintenance

ANNUAL CLEANING OF BURNER HOUSING

Burn-off the burner after use will keep it ready for instant use, however, once a year you should give the entire burner a thorough cleaning to keep it in top operating condition.

1. Shut off gas supply at source and disconnect fuel line. Protect fuel line fitting.
2. Remove and clean the cooking grids.
3. Brush the inside and bottom of the burner with a stiff wire brush, and wash down with a mild soap.
4. Check electrode.
5. Reconnect to gas source and observe burner flame for correct operation.

IMPORTANT: You should NOT line the bottom of the burner housing with aluminum foil, sand or any other grease absorbent substance. Grease will not be able to drip into the drip tray and a grease fire may occur.

MAINTENANCE GUIDELINES

1. Keep outdoor cooking gas appliance area clear and free from combustible materials, gasoline and other flammable vapors and liquids.
2. Do not obstruct the flow of combustion and ventilation of air flow.
3. Keep the ventilation opening(s) of the cylinder enclosure free and clear from debris.
4. Visually check burner flames. Burner flames should be blue and stable with no yellow tips, excessive noise, or lifting.
5. Clean outdoor cooking gas appliance, including special surfaces, with recommended cleaning agents, if necessary.
6. Check and clean burner for insects and insect nests. A clogged tube can lead to a fire beneath the burner.

RUST-BROWN MARKS:

When this type of staining occurs, it is very unlikely that rusting of the stainless steel itself causes the marks. Similar marks can be found with both porcelain and plastic sinks. The rust marks are the result of small particles of “ordinary-steel” which have become attached to the surface; these have subsequently rusted in the damp environment. The most common source of such particles is from “wire wool” scouring pads, but contamination may also occur from carbon steel utensils and old cast iron water supply pipes. These brown marks are only superficial stains, which will not harm the Burner; they should be removable using a soft damp cloth and a multi-purpose cream cleanser. Occasionally, it may be necessary to resort to a proprietary stainless-steel cleanser, to return the surface of the Burner to its original condition. To avoid re-occurrence of any “rust-staining” it is essential that the source of the contamination be eliminated.

PITTING:

Another form of corrosion, which occasionally occurs in stainless steel, is pitting of the surface. The reason for this corrosive attack can usually be attributed to certain household products.

BLEACHES:

Most common domestic bleaches & sterilizing solutions contain chlorine in the form of sodium hypochlorite. If used in concentrated form, bleaches can attack the stainless steel, causing pitting of the surface. They should always be used to the strengths prescribed by the manufacturer and should be thoroughly rinsed off with clean water immediately after use. All cleaning agents containing hypochlorite are unsuitable for long term contact with stainless steel, even when used in the highly diluted form, they can give pitting under certain conditions.

FOODSTUFFS:

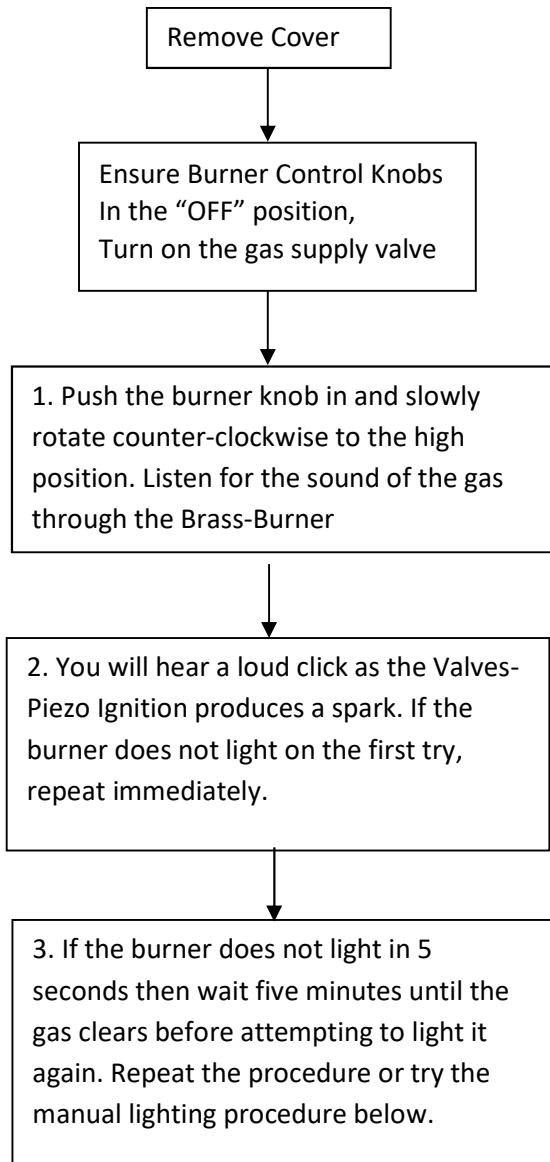
In general, stainless steel is fully resistant to all foodstuffs in common use. Only in isolated cases, such as when concentrated salt and vinegar mixtures remain in contact with the steel for long periods can any surface marking result.

GRILL STARTUP –Lighting the Burner



WARNING: When Lighting the Burner. DO NOT RELEASE KNOB, GAS WILL CONTINUE TO FLOW.

Lighting Instructions



Tip:

- It is normal to hear a popping sound when the burners are turned off.
- Turn gas off by rotating back to OFF position
- Always perform a Leak Test before each use. If there is a Gas Leak the Air will have a Pungent Odor.

NOTE: To light the Burner with a gas lighter, make sure the Burner has been leak tested and burners be properly located. Insert long-necked gas lighter through the cooking grid placing near a burner side. Turn the burner knob on to "HIGH" setting to release gas. Turn on the button on gas lighter, burner should light immediately. Adjust burners to desired cooking temperature.



SUNSTONE VERSA SIDE BURNER WARRANTY

“ALL WARRANTIES ARE VOID IF BURNER IS NOT INSTALLED ACCORDING TO SUNSTONE’S BASIC INSTALLATION GUIDELINES

WARRANTY ON PARTS

- **MAIN BURNERS ----- LIMITED LIFETIME**
- **COOKING GRATES ----- LIMITED LIFETIME**
- **FIREBOX & PANELS ----- LIMITED LIFETIME**
- **VALVES, KNOBS, LIGHTS & ALL OTHER PARTS -----1 YEAR WARRANTY**

LIMITED LIFETIME WARRANTY

Brass burner, Cooking Grids, Stainless Steel Housings (including liners, frames, ovens and barbecue faces), to be free from defects in material and workmanship when subjected to normal domestic use and service for the lifetime of the original purchaser. This warranty does not include discoloration, surface corrosion, Burn Through and scratches which may occur during regular use.

LIMITED ONE-YEAR WARRANTY

All other burner components including knobs, valves, tubing, light assembly, and covers are warranted to be free from defects in material and workmanship for a period of one year from the original date of purchase.

LIMITATIONS & EXCLUSIONS

1. *SIDE BURNER warranty applies only to the original purchaser and may not be transferred.*
2. *SIDE BURNER warranty is in lieu of all other warranties expressed or implied and all other obligations or liabilities related to the sale or use of its burner products.*
3. *SIDE BURNER warranty shall not apply and SUNSTONE METAL PRODUCTS LLC. Is not responsible for damage resulting from misuse, abuse, alteration of or tampering with the appliance, accident, hostile environment, flare-up fires, improper installation, or installation not in accordance with the instructions contained in the User Manual, or the local codes.*
4. *SUNSTONE METAL PRODUCTS LLC. shall not be liable for incidental, consequential, special or contingent damages resulting from its breach of this written warranty or any implied warranty.*
5. *Some states do not allow limitations on how long an implied warranty lasts, or the exclusions of or limitations on Consequential damages. This warranty gives you specific legal rights and you may have other rights, which vary from state to state.*
6. *No one has the authority to add to or vary SIDE BURNER warranty, or to create for SUNSTONE METAL PRODUCTS LLC. any other obligation or liability in connection with the sale or use of its products.*

WHAT IS NOT COVERED & INTERNET PURCHASE DISCLAIMER

1. Shall not be responsible for and shall not pay for the following Installation or start-up.
2. Service by an unauthorized service provider;
3. Damage or repair due to service by an unauthorized service provider or use of unauthorized parts.
4. Damage caused by accidents, abuse, alteration, misuse, installation that is not in accordance with the instructions contained in the User Manual, or local codes.
5. To correct normal adjustments or settings, due to improper installation, commissioning or local gas supply properties.
6. Shipping and handling costs, export duties, or installation cost.
7. The cost of service calls to diagnose trouble; or Removal or re-installation cost.
8. Product purchased through Online Stores which are Discounted because of being Refurbished, Damaged Box, Open Box, or Returned Merchandise is purchased in AS-IS Condition. ONLY Manufacture Warranty applies top product purchase. No other warranties apply, No Returns Allowed, and No other special privileges shall be granted.