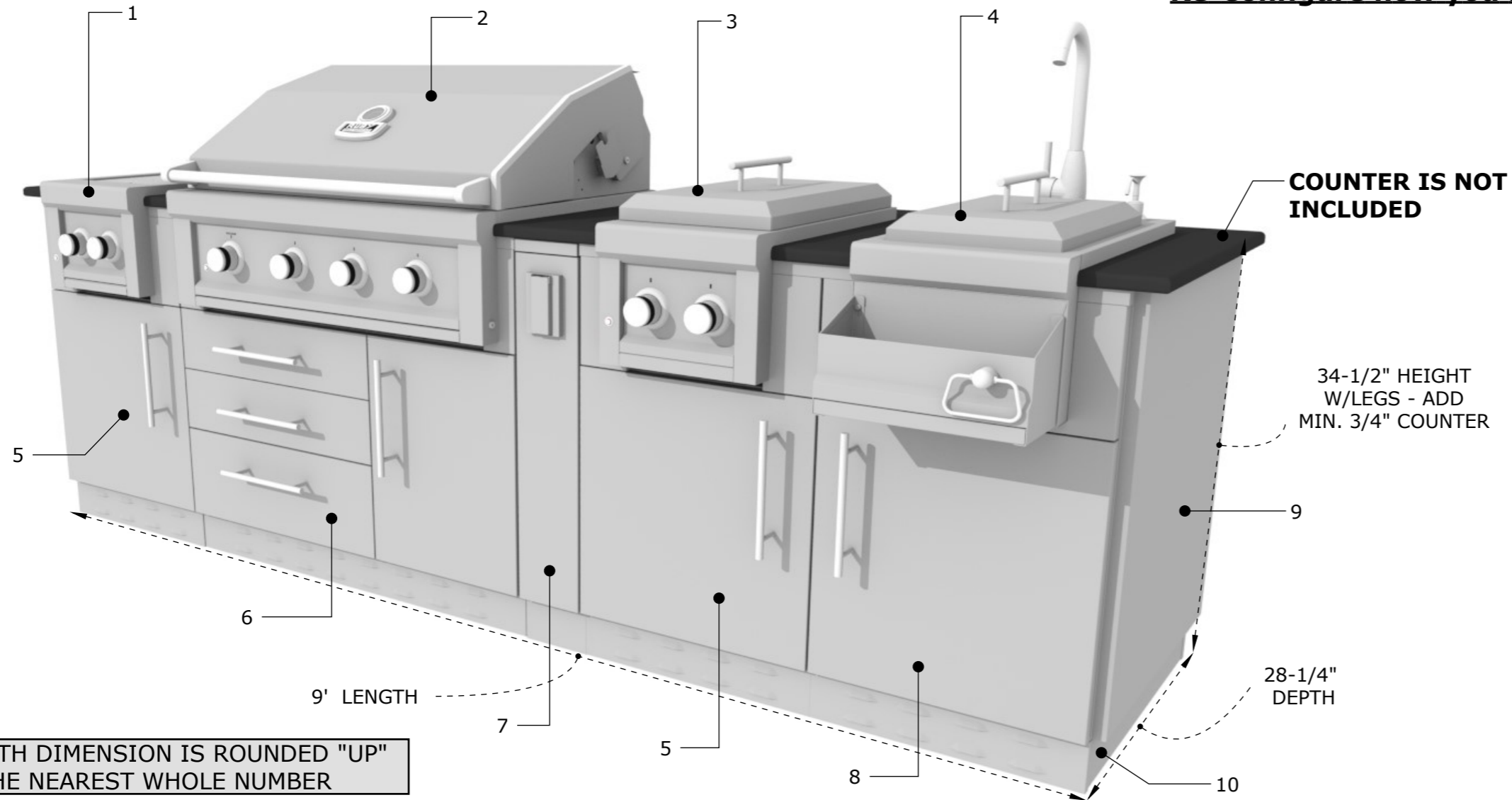


SUNSTONE CABINET PACKAGE - THE AUSTIN

Re-Configure how you like*



LENGTH DIMENSION IS ROUNDED "UP" TO THE NEAREST WHOLE NUMBER

Equipment List - See individual product Specification Sheets for more info.

ITEM	MODEL	DESCRIPTION	QTY.
1	SUN13CPRO	Ruby Series Pro Sear 4 Burner Grill LP/NG	1
2	RUBY4B	13" Companion Pro	1
3	SUN13VDB	13" Versa Double Burner	1
4	B-RBC14	14" Bar Sink Cocktail Ice Chest Station	1
5	SAC20CSDL	20" Left Swing Appliance Cabinet	2
6	SAC34GLPCD	34" Gas Grill Base Cabinet	1
7	SBC6SPEL	6" Spacer Cabinet w/Electrical Cover	1
8	SAC20CSDR	20" Right Swing Appliance Cabinet	1
9	SCC27EP	27" Universal End Panel	2
10	SCC25KP	25" Universal Side Kickplate	2

Equipment Upgrade List-

ITEM	MODEL	DESCRIPTION
1	RUBY4BIR	Add IR & Rotisserie

SUNSTONE METAL PRODUCTS
 16004 CENTRAL COMMERCE DR.
 PFLUGERVILLE, TEXAS 78660
 Tel: 888.934.9449
 Bus: 512.487.5116
 Fax: 512.487.7016

PRODUCT

The Austin is 9 feet in length

Item No. SCPAUSTIN

DESCRIPTION

The Austin is a masterful 9 Foot length all high quality grilling, searing, prep and clean all in one. Including our pro searing gas grill, companion pro with multiple cooking methods available like deep fryer, griddle, and provides additional cooking surface. Including the double versa burner and insulated ice chest complete cocktail center. All in matching 304 stainless steel cabinets and grills reflect perfectly giving you the most supreme outdoor kitchen package.

- 14" Companion Pro
- 36" Gas Grill w/Pro Sear
- 13" Versa Double Burner
- 14" Cocktail Center
- 3x 20" Appliance Cabinets
- 40" Gas Grill Cabinet
- 6" Spacer Cabinet w/Elect.
- All Hardware Included
- Front/Back Kick Plates
- Heavy-Duty Legs
- Counter Top Not Included

Specifications

Package Size

Length measurement is rounded up to the nearest whole number
 9' Length (includes 2 x 1" End Panels) x 28-1/4"D (w/Doors) x 34-1/2"H (w/Legs) or 35-3/4"H (w/3/4" Counter)